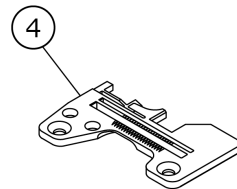
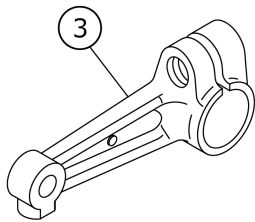
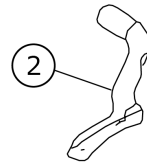
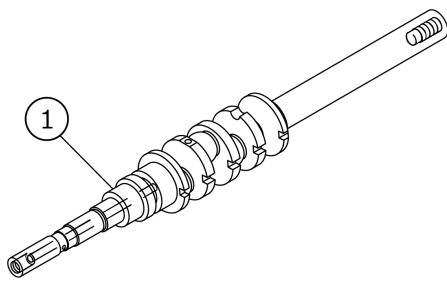


MO-3600 SUBCLASSES/MO-3604/MO-3605/MO-3614/MO-3616/MO-3643/M

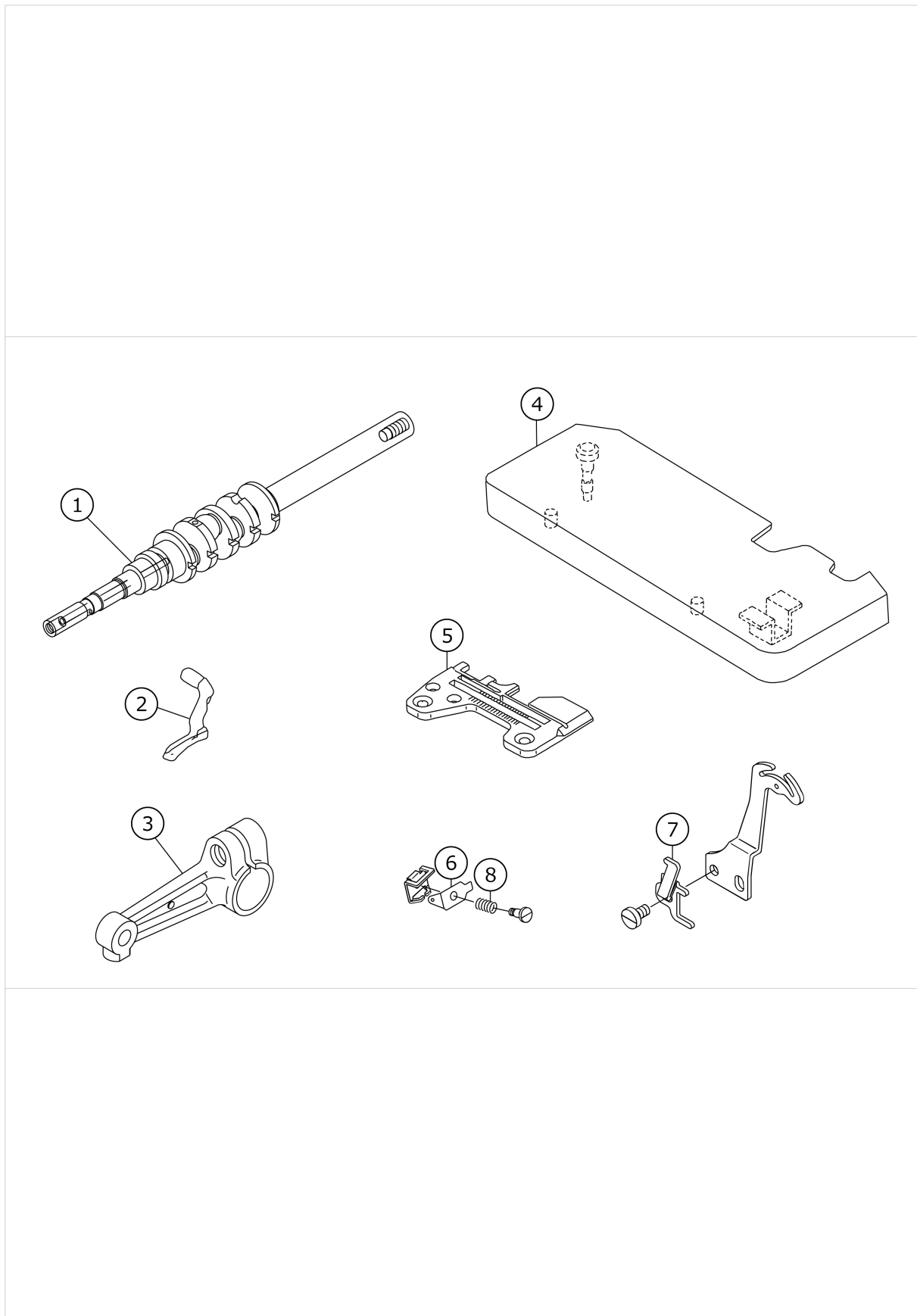
O-3645

MO-3604-0E4-40H,MO-3604E-0E4-40H



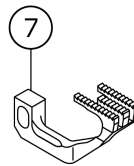
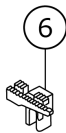
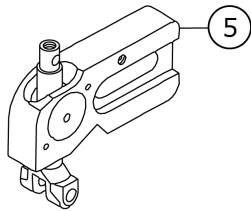
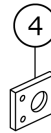
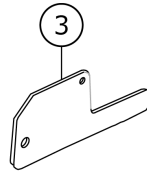
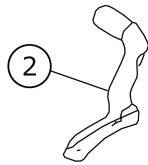
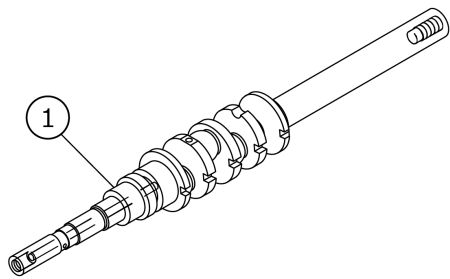
No.	品番	品名	備考	子部品	消耗品	個数
1	12107207	CRANKSHAFT				1.00
2	11991908	UPPER LOOPER				1.00
3	12284501	LOOPER HOLDER, B				1.00
4	R4200J6ED00	THROAT PLATE	FOR JSP			1.00

MO-3604A-0E4-40H/Z173,MO-3604B-0E4-40H/Z173



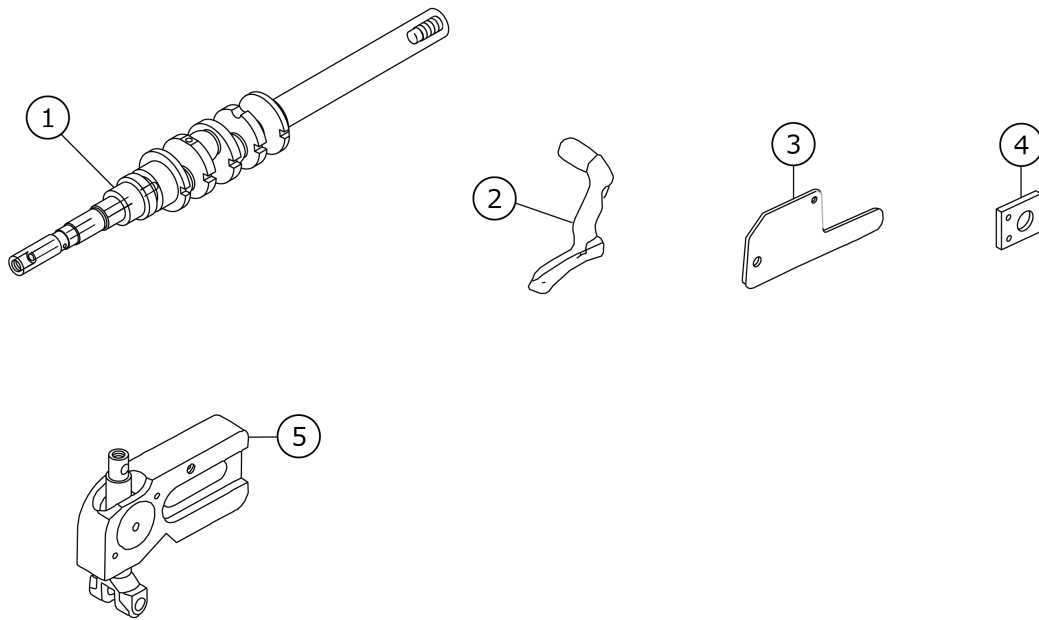
No.	品番	品名	備考	子部品	消耗品	個数
1	12107207	CRANKSHAFT				1.00
2	11991908	UPPER LOOPER				1.00
3	12284501	LOOPER HOLDER, B				1.00
4	11948783	CLOTH PLATE ASM.				1.00
5	R4200J2ED00	THROAT PLATE				1.00
6	12112504	NEEDLE THREAD PRESSER PLATE C				1.00
7	12112603	DIFFERENTIAL FEED CAM				1.00
8	12112702	NEEDLE THREAD PRESSER SPRING B				1.00

MO-3614-BE6-20H,MO-3614E-BE6-20H



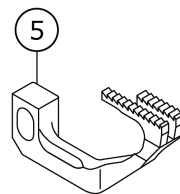
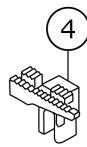
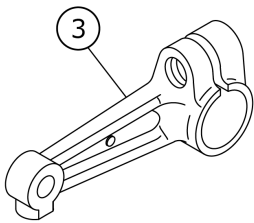
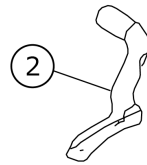
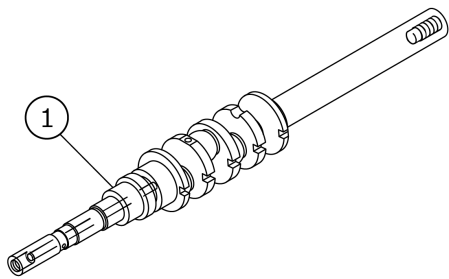
No.	品番	品名	備考	子部品	消耗品	個数
1	12107207	CRANKSHAFT				1.00
2	12176103	UPPER LOOPER				1.00
3	11991601	UPPER LOOPER GUIDE COVER				1.00
4	11991809	GAUGE				1.00
5	12254157	UPPER LOOPER GUIDE A ASM.				1.00
6	12171500	MAIN FEED DOG				1.00
7	12172003	DIFF,FEED DOG				1.00

MO-3614-BE6-40H,MO-3614E-BE6-40H



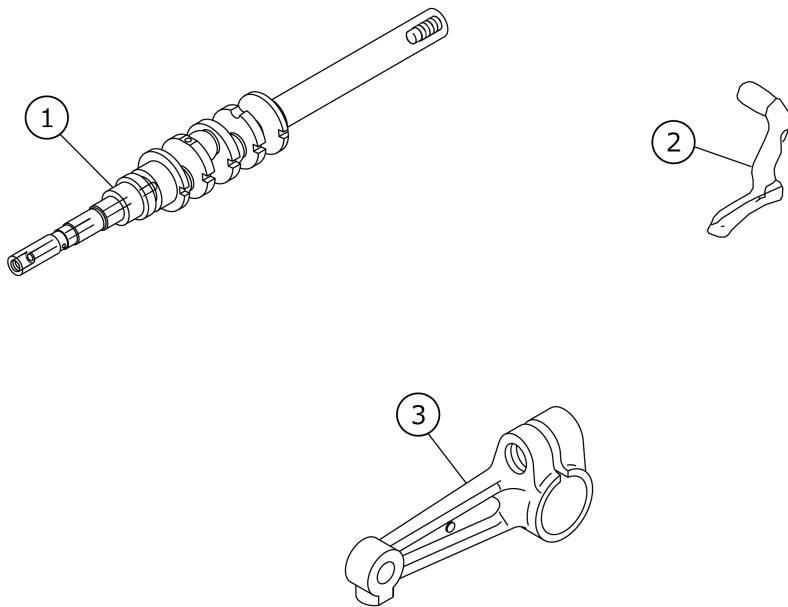
No.	品番	品名	備考	子部品	消耗品	個数
1	12107207	CRANKSHAFT				1.00
2	12176103	UPPER LOOPER				1.00
3	11991601	UPPER LOOPER GUIDE COVER				1.00
4	11991809	GAUGE				1.00
5	12254157	UPPER LOOPER GUIDE A ASM.				1.00

MO-3616-DE4-20H,MO-3616E-DE4-20H



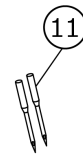
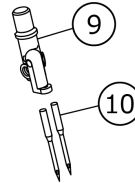
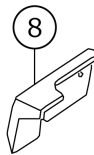
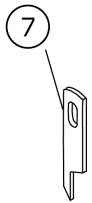
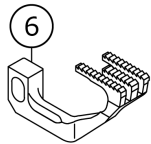
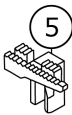
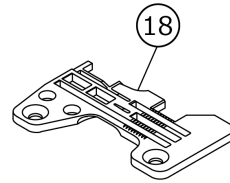
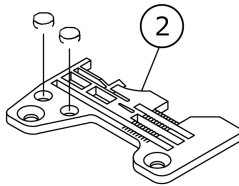
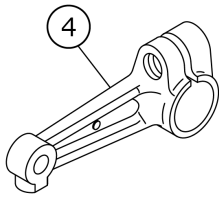
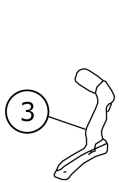
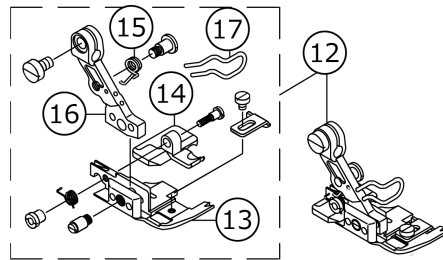
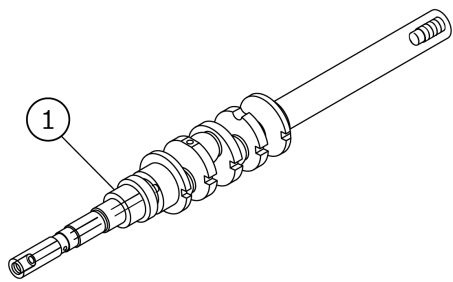
No.	品番	品名	備考	子部品	消耗品	個数
1	12107207	CRANKSHAFT				1.00
2	11991908	UPPER LOOPER				1.00
3	12284501	LOOPER HOLDER, B				1.00
4	12171203	MAIN FEED DOG				1.00
5	12174108	SUB-FEED DOG				1.00

MO-3616-DE4-40H,MO-3616E-DE4-40H



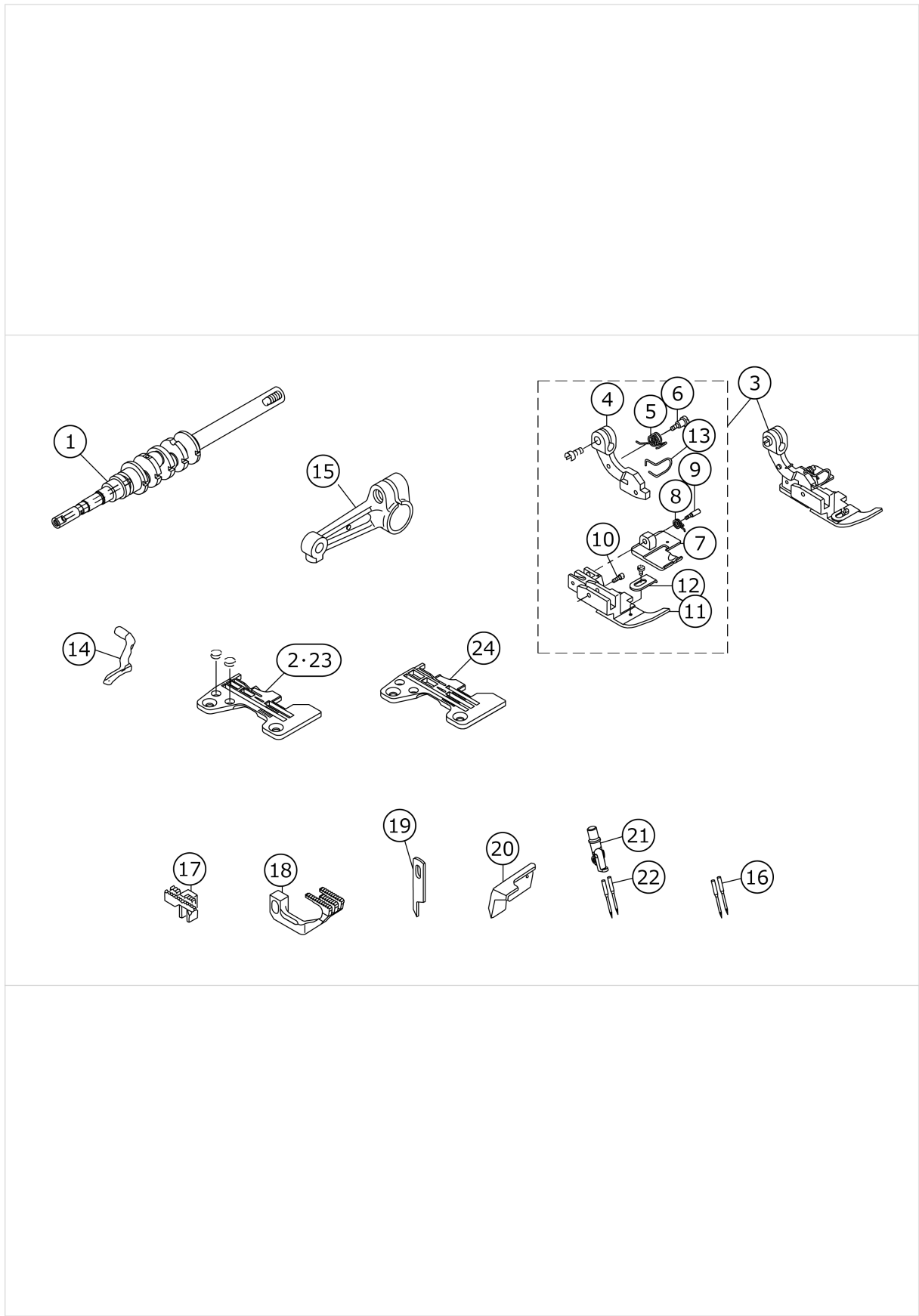
No.	品番	品名	備考	子部品	消耗品	個数
1	12107207	CRANKSHAFT				1.00
2	11991908	UPPER LOOPER				1.00
3	12284501	LOOPER HOLDER, B				1.00

MO-3616-FF6-40H,MO-3616E-FF6-40H



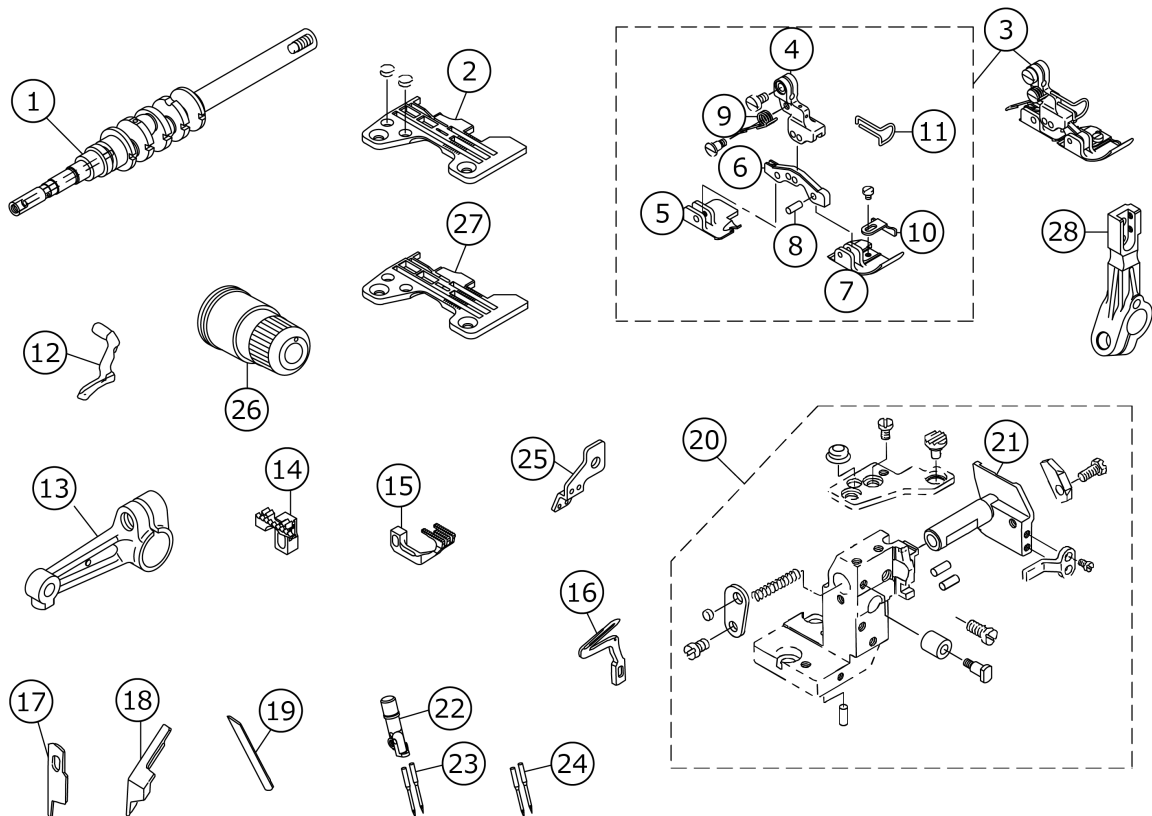
No.	品番	品名	備考	子部品	消耗品	個数
1	12107207	CRANKSHAFT				1.00
2	R4612J0FD00	THROAT PLATE				1.00
3	11991908	UPPER LOOPER				1.00
4	12284501	LOOPER HOLDER, B				1.00
5	11884004	MAIN FEED DOG				1.00
6	12173308	DIFFERENTIAL FEED DOG				1.00
7	11845609	KNIFE	FOR JAPAN			1.00
8	11845807	UPPER KNIFE	FOR EXPORT			1.00
9	12257507	NEEDLE CLAMP, CHAIN LOOPER				1.00
10	MDC270B1600	NEEDLE DCX27 #16				2.00
11	MC033601000	NEEDLE B-27 NM100	FOR JE			2.00
12	12154266	PRESSER FOOT ASM.				1.00
13	12162707	PRESSER FOOT		*		1.00
14	12165304	REAR PRESSER FOOT		*		1.00
15	12168001	PRESSER FOOT ARM SPRING, (B)		*		1.00
16	12157004	PRESSER FOOT HINGE		*		1.00
17	12168209	FINGER GUARD		*		1.00
18	R4612J6FD00	THROAT PLATE	FOR JSP			1.00

MO-3616-FF6-50H, MO-3616E-FF6-50H, MO-3616-FH6-50H, MO-3616E-FH6-50H



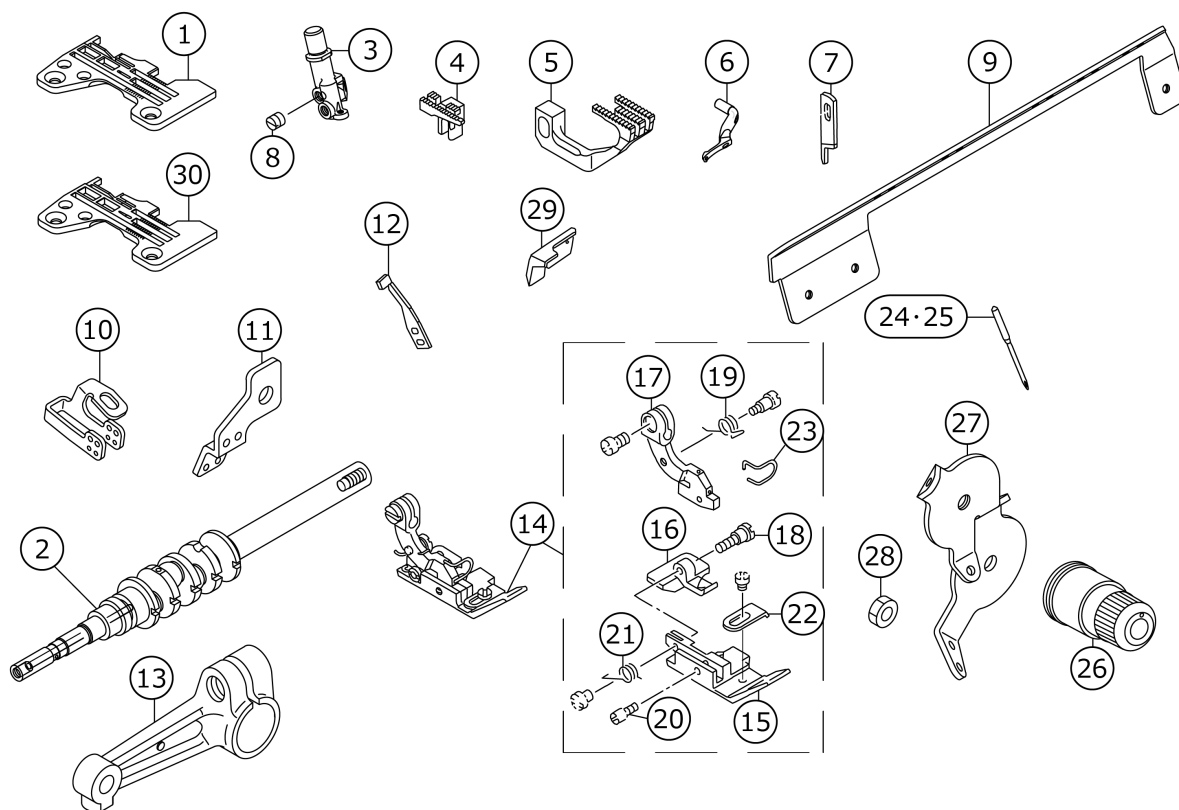
No.	品番	品名	備考	子部品	消耗品	個数
1	12107207	CRANKSHAFT				1.00
2	R4612J0FF00	THROAT PLATE	FOR FF6			1.00
3	11991189	PRESSER FOOT ASM.				1.00
4	11991015	PRESSER FOOT HINGE		*		1.00
5	B151581600B	PRESSER FOOT ARM SPRING B		*		1.00
6	B1514816000	SCREW		*		1.00
7	11991205	REAR PRESSER FOOT		*		1.00
8	11991304	SPRING		*		1.00
9	11930807	HINGE PIN		*		1.00
10	11993508	PRESSER FOOT HINGE PIN		*		1.00
11	11991114	HINGED TYPE PRESSER FOOT		*		1.00
12	B1530816D00	AUXILIARY STOPPER		*		1.00
13	11820800	FINGER GUARD		*		1.00
14	11991908	UPPER LOOPER				1.00
15	12284501	LOOPER HOLDER, B				1.00
16	MC033601000	NEEDLE B-27 NM100	FOR JE			2.00
17	11883006	MAIN FEED DOG				1.00
18	12173506	DIFFERENTIAL FEED DOG				1.00
19	11845609	KNIFE	FOR JAPAN			1.00
20	11845807	UPPER KNIFE	FOR EXPORT			1.00
21	12257507	NEEDLE CLAMP, CHAIN LOOPER				1.00
22	MDC270B1600	NEEDLE DCX27 #16				2.00
23	R4612J0HG00	THROAT PLATE	FOR FH6			1.00
24	R4612J6FF00	THROAT PLATE	FOR JSP			1.00

MO-3616-FH6-60H,MO-3616E-FH6-60H



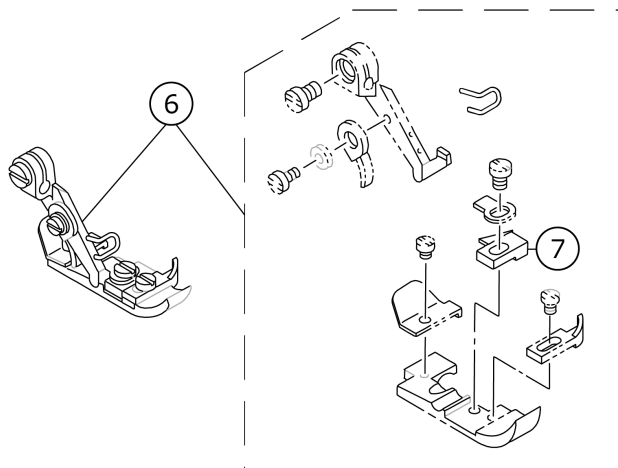
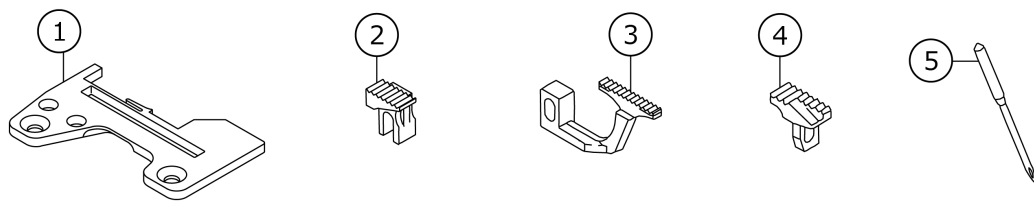
No.	品番	品名	備考	子部品	消耗品	個数
1	12107306	CRANKSHAFT				1.00
2	R4612J0HK00	THROAT PLATE				1.00
3	12155560	PRESSER FOOT ASM.				1.00
4	12157301	PRESSER FOOT HINGE ARM		*		1.00
5	12165908	REAR PRESSER FOOT		*		1.00
6	12168407	PRESSER FOOT HINGE		*		1.00
7	12164000	PRESSER FOOT		*		1.00
8	11930708	PRESSER FOOT HINGE PIN		*		3.00
9	12168506	PRESSER FOOT ARM SPRING		*		1.00
10	12168605	CLOTH GUIDE		*		1.00
11	12168704	FINGER GUARD		*		1.00
12	12176202	UPPER LOOPER				1.00
13	12284501	LOOPER HOLDER, B				1.00
14	12171104	MAIN FEED DOG				1.00
15	12174207	DIFFERENTIAL FEED DOG				1.00
16	11999802	LOWER LOOPER				1.00
17	12004909	KNIFE	FOR JAPAN			1.00
18	11565900	UPPER KNIFE	FOR EXPORT			1.00
19	11566502	LOWER KNIFE				1.00
20	12257465	LOWER KNIFE FITTING BASE				1.00
21	12133500	LOWER KNIFE SLIDE STUD		*		1.00
22	12150702	NEEDLE CLAMP, CHAIN LOOPER				1.00
23	MDC270B2100	NEEDLE DCX27 #21				2.00
24	MC033601300	NEEDLE B-27 NM130	FOR JE			2.00
25	12112801	TAKE-UP LEVER GUIDE				1.00
26	12255451	THREAD TENSION SPRING ASM.				2.00
27	R4612J6HK00	THROAT PLATE	FOR JSP			1.00
28	12273900	LOWER LOOPER SUPPORT ARM				1.00

MO-3643-FBD6-40H,MO-3643E-FBD6-40H



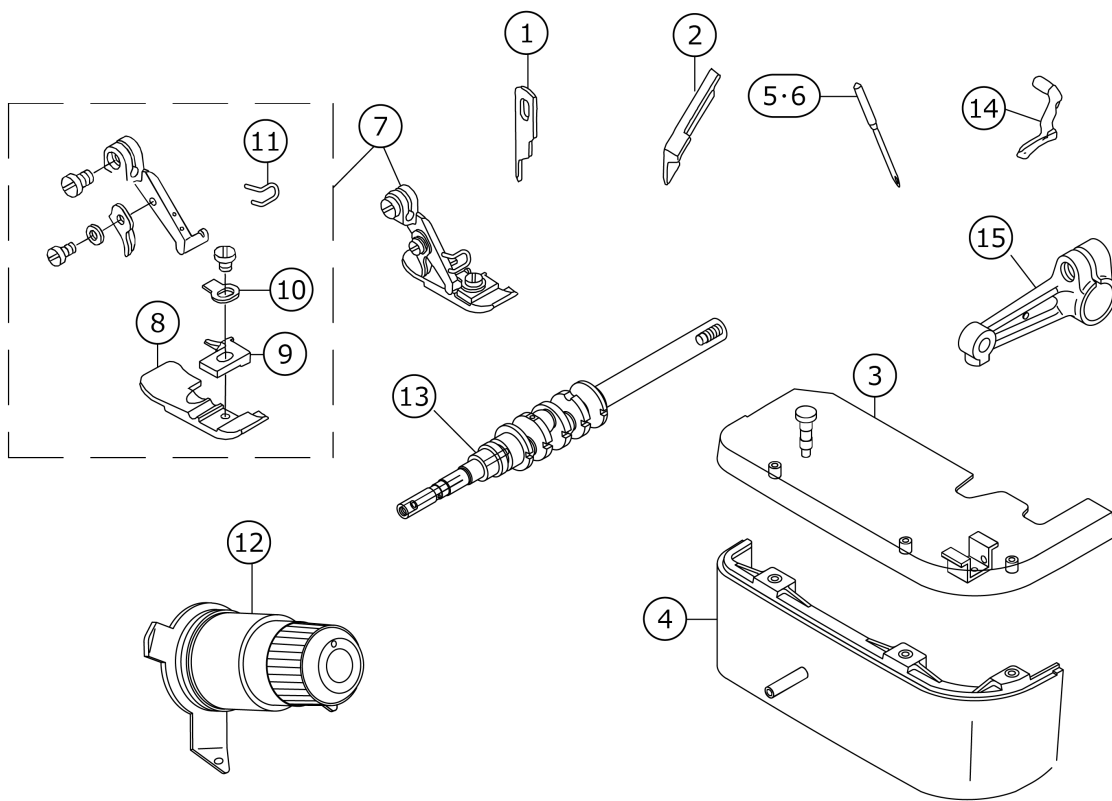
No.	品番	品名	備考	子部品	消耗品	個数
1	R4612J0DE01	THROAT PLATE				1.00
2	12107207	CRANKSHAFT				1.00
3	12275004	NEEDLE CLAMP CHAIN LOOPER.				1.00
4	11884004	MAIN FEED DOG				1.00
5	12173308	DIFFERENTIAL FEED DOG				1.00
6	12176103	UPPER LOOPER				1.00
7	11845609	KNIFE				1.00
8	SS8080310TP	SCREW 1/8-44 L=2.8				1.00
9	12288502	CENTER THREAD GUIDE				1.00
10	12146403	NEEDLE THREAD GUIDE, 3-NEEDLE				1.00
11	12281804	TAKE-UP LEVER GUIDE, 2-NEEDLE				1.00
12	11999406	NEEDLE HOLDER				1.00
13	12284501	LOOPER HOLDER, B				1.00
14	11878063	PRESSER FOOT ASM.				1.00
15	B1507843F00	PRESSER FOOT		*		1.00
16	11875507	REAR PRESSER FOOT		*		1.00
17	11872207	PRESSER FOOT HINGE		*		1.00
18	B1511816000	HINGE SCREW		*		1.00
19	B151581600B	PRESSER FOOT ARM SPRING B		*		1.00
20	B1510816000	HINGE PIN		*		1.00
21	B1512816000	SPRING, FOR REAR PRESSER FOOT		*		1.00
22	B1530816D00	AUXILIARY STOPPER		*		1.00
23	11820800	FINGER GUARD		*		1.00
24	MDC270B1100	NEEDLE DCX27 #11				1.00
25	MC033600750	NEEDLE B-27 NM75	FOR JE			1.00
26	12284758	THREAD TENSION SPRING JUNCTION				1.00
27	12255105	TENSION DISK THREAD GUIDE.				1.00
28	NS6110310SP	NUT 11/64-40				1.00
29	11845807	UPPER KNIFE				1.00
30	R4612J6DE01	THROAT PLATE	FOR JSP			1.00

MO-3604-0A5-150,MO-3604E-0A5-150



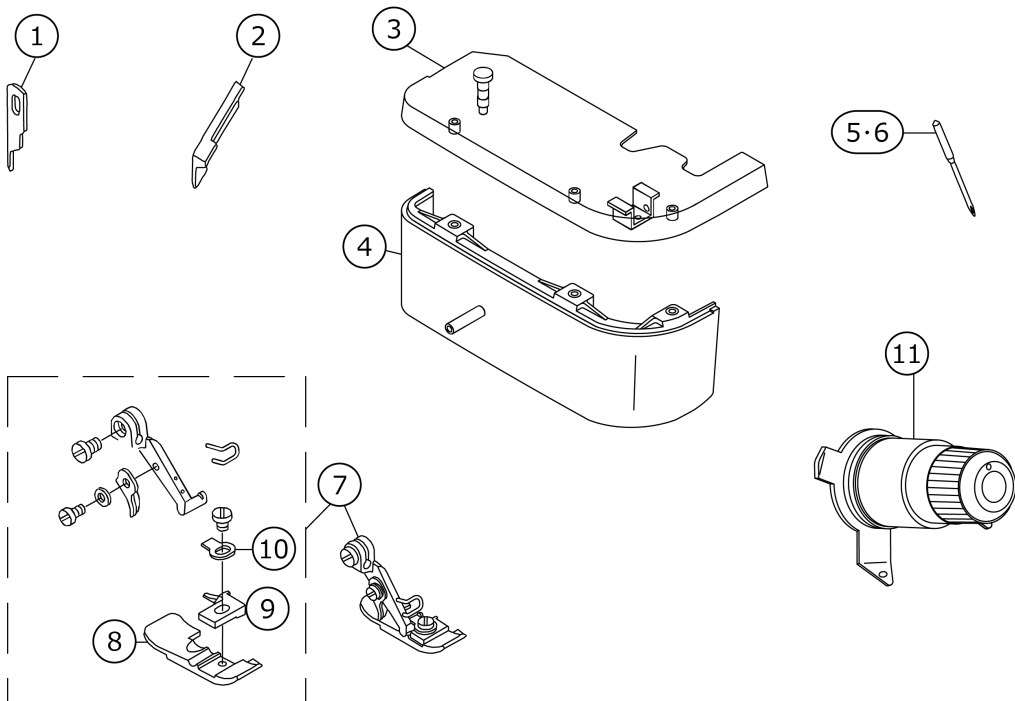
No.	品番	品名	備考	子部品	消耗品	個数
1	R4100J0AC00	THROAT PLATE				1.00
2	11882008	MAIN FEED DOG				1.00
3	11885001	DIFFERENTIAL FEED DOG				1.00
4	11887007	AUXILIARY FEED DOG				1.00
5	MDC100B0800	NEEDLE DCX1 #8				1.00
6	11876067	PRESSER FOOT ASM.				1.00
7	11792900	STITCH TONGUE		*		1.00

MO-3605-0E4-41H/L121,MO-3605E-0E4-41H/L121



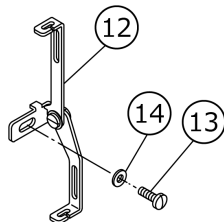
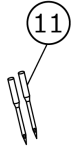
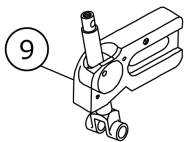
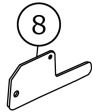
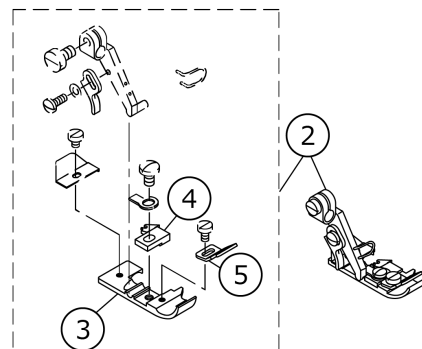
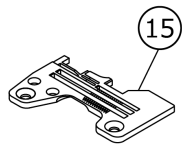
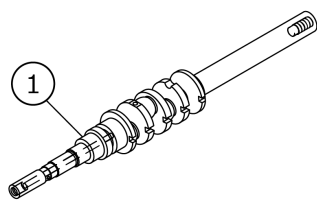
No.	品番	品名	備考	子部品	消耗品	個数
1	11845708	KNIFE	FOR JAPAN			1.00
2	11845906	UPPER KNIFE	FOR EXPORT			1.00
3	12104659	CLOTH PLATE ASM.				1.00
4	12104709	CLOTH PLATE COVER				1.00
5	MDC270B0900	NEEDLE DCX27 #9				1.00
6	MC033600650	NEEDLE B-27 65	FOR JE			1.00
7	11992161	PRESSER FOOT ASM.				1.00
8	11992104	PRESSER FOOT		*		1.00
9	11874807	STITCH TONGUE		*		1.00
10	B1508804000	SPRING		*		1.00
11	11820701	FINGER GUARD		*		1.00
12	12284857	THREAD TENSION SPRING JUNCTION				1.00
13	12107207	CRANKSHAFT				1.00
14	11991908	UPPER LOOPER				1.00
15	12284501	LOOPER HOLDER, B				1.00

MO-3605-0E4-210/L121,MO-3605E-210/L121



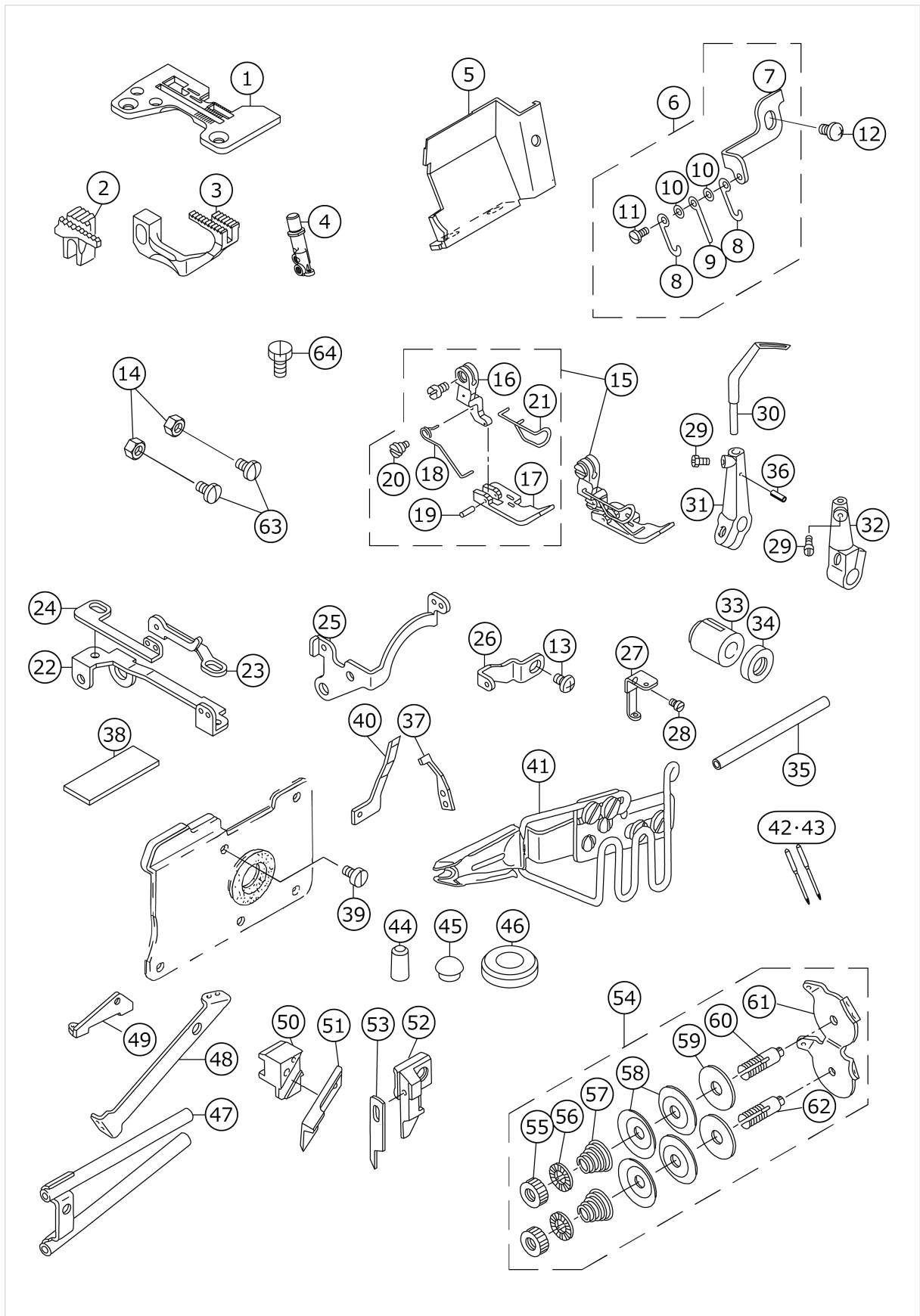
No.	品番	品名	備考	子部品	消耗品	個数
1	11845708	KNIFE	FOR JAPAN			1.00
2	11845906	UPPER KNIFE	FOR EXPORT			1.00
3	12104659	CLOTH PLATE ASM.				1.00
4	12104709	CLOTH PLATE COVER				1.00
5	MDC270B0900	NEEDLE DCX27 #9				1.00
6	MC033600650	NEEDLE B-27 65	FOR JE			1.00
7	11992161	PRESSER FOOT ASM.				1.00
8	11992104	PRESSER FOOT		*		1.00
9	11874807	STITCH TONGUE		*		1.00
10	B1508804000	SPRING		*		1.00
11	12284857	THREAD TENSION SPRING JUNCTION				1.00

MO-3614-BE6-44H/G-38/Q141,MO-3614E-BE6-44H/G-39/Q141



No.	品番	品名	備考	子部品	消耗品	個数
1	12107207	CRANKSHAFT				1.00
2	12152963	PRESSER FOOT ASM.				1.00
3	12158002	PRESSER FOOT		*		1.00
4	12160305	STITCH TONGUE		*		1.00
5	12160909	TAPE GUIDE		*		1.00
6	12176103	UPPER LOOPER				1.00
7	11991809	GAUGE				1.00
8	11991601	UPPER LOOPER GUIDE COVER				1.00
9	12254157	UPPER LOOPER GUIDE A ASM.				1.00
10	MDC270B1400	NEEDLE DCX27 #14				2.00
11	MC033600900	NEEDLE B-27 NM90	FOR JE			2.00
12	MAQ141000A0	TAPE GUIDE ASM.				1.00
13	SS7091110TP	SCREW 9/64-40 L=10.5				1.00
14	WP0371016SD	WASHER 3.7X8X1				1.00
15	R4305J6EE00	THROAT PLATE	FOR JSP			1.00

MO-3645-DD4-360/N077,MO-3645E-DD4-360/N077



No.	品番	品名	備考	子部品	消耗品	個数
1	R4808J0DE00	THROAT PLATE				1.00
2	11884202	MAIN FEED DOG				1.00
3	12173803	DIFFERENTIAL FEED DOG				1.00
4	12275103	NEEDLE CLAMP CHAIN LOOPER.				1.00
5	12275301	CLOTH WASTE COVER				1.00
6	12145652	CHAIN LOOPER THREAD TAKE-UP				1.00
7	12145702	THREAD TAKE-UP FITTING BASE		*		1.00
8	B1427816000	NEEDLE THREAD TAKE-UP LEVER A		*		2.00
9	B1428816000	NEEDLE THREAD TAKE-UP LEVER B		*		1.00
10	WP0250516SD	WASHER 2.5X6X0.5		*		2.00
11	SS7060510SP	SCREW 3/32-56 L=4.8		*		1.00
12	SM4040655SP	SCREW M4 L=6				1.00
13	SS4110515SP	SCREW 11/64-40 L=5				1.00
14	NS6110420SP	NUT 11/64-40				2.00
15	11881661	PRESSER FOOT ASM.				1.00
16	11872405	PRESSER FOOT HINGE		*		1.00
17	11873601	PRESSER FOOT		*		1.00
18	11892106	PRESSER SPRING		*		1.00
19	B1511357000	PIN		*		1.00
20	SD0370401SP	HINGE SCREW D= 3.70 H= 4.0		*		1.00
21	11894706	FINGER GUARD		*		1.00
22	12146007	THREAD GUIDE BASE				1.00
23	12146106	THREAD GUIDE A				1.00
24	12146205	THREAD GUIDE B				1.00
25	12146304	THREAD GUIDE				1.00
26	12145801	CHAIN LOOPER THREAD GUIDE				1.00
27	12145900	NEEDLE THREAD GUIDE				1.00
28	SS6060340SP	SCREW 3/32-56 L= 2.5				1.00
29	SS9090610TP	SCREW 9/64-40 L=5.5				2.00
30	11999604	DOUBLE-RING LOOPER				2.00
31	B211784500A	CHAIN LOOPER SUPPORT ARM A				1.00
32	B211784500B	CHAIN LOOPER SUPPORT ARM B				1.00
33	B2110845000	BUSHING, FRONT				1.00
34	B2121845000	OIL SEAL				1.00
35	B2109816000	CHAIN LOOPER SHAFT				1.00
36	PS0200062KH	SPRING PIN 2X6				1.00
37	11891009	NEEDLE GUARD				1.00
38	B2528845000	CHIP GUARD PLATE				1.00
39	SS6090630SP	SCREW 9/64-40 L=6				1.00
40	11890902	NEEDLE GUARD				1.00
41	MAN0770FOA0	TOP CENTER PLAIT BINDER				1.00
42	MDC270B1400	NEEDLE DCX27 #14				2.00
43	MC033600900	NEEDLE B-27 NM90	FOR JE			2.00
44	TA0290601M0	PLUG D=2.9X3.2 L=6				1.00
45	TA0570301M0	PLUG D=5.7X6.1 L=3				1.00
46	TA1701002R0	RUBBER PLUG				1.00
47	11893054	LOOPER THREAD GUIDE TUBE ASM.				1.00
48	11893104	LOOPER THREAD GUIDE TUBE GUIDE				1.00
49	B240284500B	LOOPER THREAD GUIDE TUBE GUIDE	FOR T039,T040			1.00
50	11896305	UPPER KNIFE SUPPORT	FOR EXPORT			1.00

51	11845807	UPPER KNIFE	FOR EXPORT			1.00
52	11896206	UPPER KNIFE SUPPORT	FOR JAPAN			1.00
53	11845609	KNIFE	FOR JAPAN			1.00
54	11892957	TENSION CONTROLLER ASM.				1.00
55	B2314019000	TENSION POST NUT		*		2.00
56	B3120125000	ROTATING STOPPER		*		2.00
57	B2017372000	TENSION SPRING NO.1		*		2.00
58	B3126012000	THREAD TENSION DISK		*		4.00
59	B3120352000	THREAD TENSION SPRING FELT		*		2.00
60	11550803	THREAD TENSION POST		*		1.00
61	11892809	THREAD GUIDE		*		1.00
62	11892908	THREAD TENSION POST		*		1.00
63	SS7110710SL	SCREW 11/64-40 L=7.0				2.00
64	SS9151210TP	SCREW 15/64-28 L=11.8				1.00

HOW TO MAKE USE OF THIS PARTS LIST

1.Explanation of codes

1)"*"mark.....means this part is changed from the previous parts book.

As to the details of the change, refer to the "List for information of change".

2)"#01".....refer to "Note" explanation at bottom of page.

2.Codes on the "Qty" column

· Each numeral indicates the number of parts required.

· "0.1" and "2.5" indicate the length (in meters) of the respective parts.

3.Parentheses mean that the corresponding part is a subpart that constructs an assembly part.

4.Dotted lines on the Figures indicate assembly parts.

1."注記"欄の記号説明

1) "*"印.....前回のパーツブックに比較して今回変更された部品を意味します。

変更内容は、"変更情報リスト"を参照してください。

2) "#01".....ページ下の"注記"の説明を参照してください。

2.数量欄の数字は、個数を表し、0.1、2.5等の数値は、長さ（単位メートル）を表します。

3.数量欄の（ ）は、組部品を構成している子部品であることを意味します。

4.イラストページの-----枠は、組構成であることを意味します。